

# Central Hydraulics Inc.

Specializing in wholesale and OEM sales of hydraulic hose, pumps, motors, cylinders, valves, & components

1-800-264-9571

**MATCHMATE Plus**

**Aeroquip**



**Two Wire** Meets or Exceeds SAE 100R16 Type S, EN857 2SC, ISO 11237-1 Type 2SC  
-40°F. To +212°F. Uses: Hydraulic system service with petroleum and water-base fluids, for general industrial service.

Part #	Max. Operating Pressure (psi)	Min. Bend Radius (in)
GH781-4	5750	2.00
GH781-6	5000	2.50
GH781-8	4250	3.50
GH781-10	3625	4.00
GH781-12	3125	4.75
GH781-16	2500	6.00
GH781-20	2250	8.25
GH781-24	1800	10
GH781-32	1300	12.5



**Two Wire** Meets or exceeds SAE 100R2AT Type S, EN853 2SN, ISO 1436-1 Type 2SN  
-40°F. To +212°F. Uses: Hydraulic system service with petroleum and water-base fluids, for general industrial service.

Part #	Max. Operating Pressure (psi)	Min. Bend Radius (in)
GH793-4	5750	4.00
GH793-6	5000	5.00
GH793-8	4250	7.00
GH793-10	3625	8.00
GH793-12	3125	9.50
GH793-16	2500	12.00
GH793-20	2250	16.5
GH793-24	1800	20
GH793-32	1300	25



**One Wire** SAE100R1AT Type S, EN853 1SN, ISO 1436-1 Type 1SN  
-40°F. To +212°F. Uses: Hydraulic system service with petroleum and water-glycol base fluids, for general industrial service.

Part #	Max. Operating Pressure (psi)	Min. Bend Radius (in)
GH663-4	3250	4.00
GH663-6	3000	5.00
GH663-8	2500	7.00
GH663-12	1800	9.50
GH663-16	1300	12.00



**DAYTONA BEACH** 386-253-2568  
(Fax)386-257-5728  
**COCOA** 321-639-9967  
(Fax)321-636-3156  
**LEESBURG** 352-323-8008  
(Fax)352-323-8533  
**OCALA** 352-840-0842  
(Fax)352-840-0858  
[www.CentralHydraulics.com](http://www.CentralHydraulics.com)

060-F-01

# Central Hydraulics Inc.

Specializing in wholesale and OEM sales of hydraulic hose, pumps, motors, cylinders, valves, & components

1-800-264-9571

**MATCHMATE Plus**

**Aeroquip**



**Two Wire** Meets or Exceeds SAE 100R2AT Type S, EN853 2SN, ISO 1436-1 Type 2SN  
-40°F. To +300°F. Uses: Hydraulic system service with petroleum, fire resistant and water base fluids, fuel and lubricating systems.

Part #	Max. Operating Pressure (psi)	Min. Bend Radius (in)
GH195-4	5750	4.00
GH195-6	5000	5.00
GH195-8	4250	7.00
GH195-10	3250	8.00
GH195-12	3000	9.50
GH195-16	2500	12.00



**Four Spiral Wire** SAE 100R12, EN 856 Type R12  
-40°F. To +250°F. Hydraulic system service with petroleum and water-base fluids, for general industrial service.

Part #	Max. Operating Pressure (psi)	Min. Bend Radius (in)
GH493-6	4000	5.00
GH493-8	4000	7.00
GH493-10	4000	9.50
GH493-12	4000	9.50
GH493-16	4000	12.00
GH493-20	3000	16.5
GH493-24	2500	20
GH493-32	2500	25



**Four Heavy Spiral Wire** Exceeds SAE 100R11, EN 856 4SP  
-40°F. To +250°F. Hydraulic system service with petroleum and water-base fluids, for general industrial service.

Part #	Max. Operating Pressure (psi)	Min. Bend Radius (in)
FC254-12	6250	11.00
FC254-16	5000	12.00



**Six Spiral Wire** SAE 100R13, EN 856 TYPE R13, ISO 3862 Type R13  
-40°F. To +250°F. Hydraulic system service with petroleum and water-base fluids, for general industrial service.

Part #	Max. Operating Pressure (psi)	Min. Bend Radius (in)
FC273-20	5000	16.50
FC273-24	5000	20.00



**DAYTONA BEACH** 386-253-2568  
(Fax) 386-257-5728

**COCOA** 321-639-9967  
(Fax) 321-636-3156

**LEESBURG** 352-323-8008  
(Fax) 352-323-8533

**OCALA** 352-840-0842  
(Fax) 352-840-0858

[www.CentralHydraulics.com](http://www.CentralHydraulics.com)

061-F-01

# Central Hydraulics Inc.

Specializing in wholesale and OEM sales of hydraulic hose, pumps, motors, cylinders, valves, & components

1-800-264-9571



### Single Wire Braid Exceeds SAE100R5

-55°F. To +300°F. \*Except air +250°F.

Part #	Max. Operating Pressure (psi)	Min. Bend Radius (in)
FC300-4	3000	3.00
FC300-5	3000	3.38
FC300-6	2250	4.00
FC300-8	2000	4.62
FC300-10	1750	5.50
FC300-12	1500	6.50
FC300-16	800	7.38
FC300-20	625	9.00
FC300-24	500	10.50
FC300-32	300	13.25



### High Temperature Fuel and Oil Fire Resistant USCG/MMT, NMMMA/BIA

-40°F. To +300°F.

Part #	Max. Operating Pressure (psi)	Min. Bend Radius (in)
FC234-5	1500	1
FC234-6	1500	1.25
FC234-8	1250	1.75
FC234-10	1250	2.25
FC234-12	750	2.75
FC234-16	400	3.5



### Textile Braid

-40°F. To +300°F. \*Except air +250°F. Water +180°F.

Part #	Max. Operating Pressure (psi)	Min. Bend Radius (in)
FC332-4	250	3
FC332-6	250	3
FC332-8	250	5
FC332-10	250	6
FC332-12	250	7



**DAYTONA BEACH** 386-253-2568

(Fax)386-257-5728

**COCOA**

321-639-9967

(Fax)321-636-3156

**LEESBURG**

352-323-8008

(Fax)352-323-8533

**OCALA**

352-840-0842

(Fax)352-840-0858

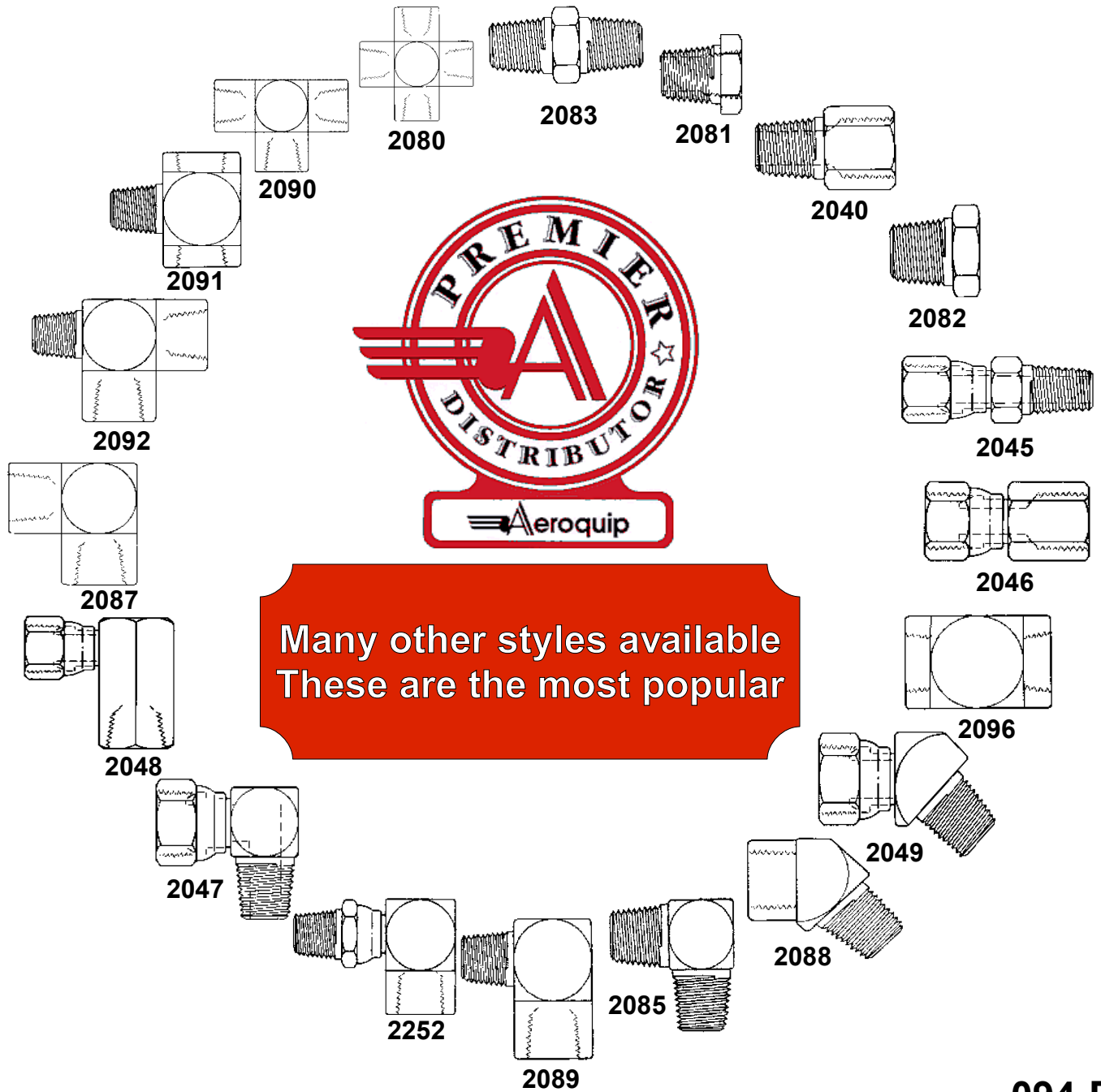
[www.CentralHydraulics.com](http://www.CentralHydraulics.com)

073-F-01

# Central Hydraulics Inc.



## NPT (National Pipe Thread) to NPT Adapters



094-F-01

**Central Hydraulics Inc. 1-800-264-9571**

**DAYTONA BEACH**

**386-253-2568**

**COCOA**

**321-639-9967**

**LEESBURG**

**352-323-8008**

**OCALA**

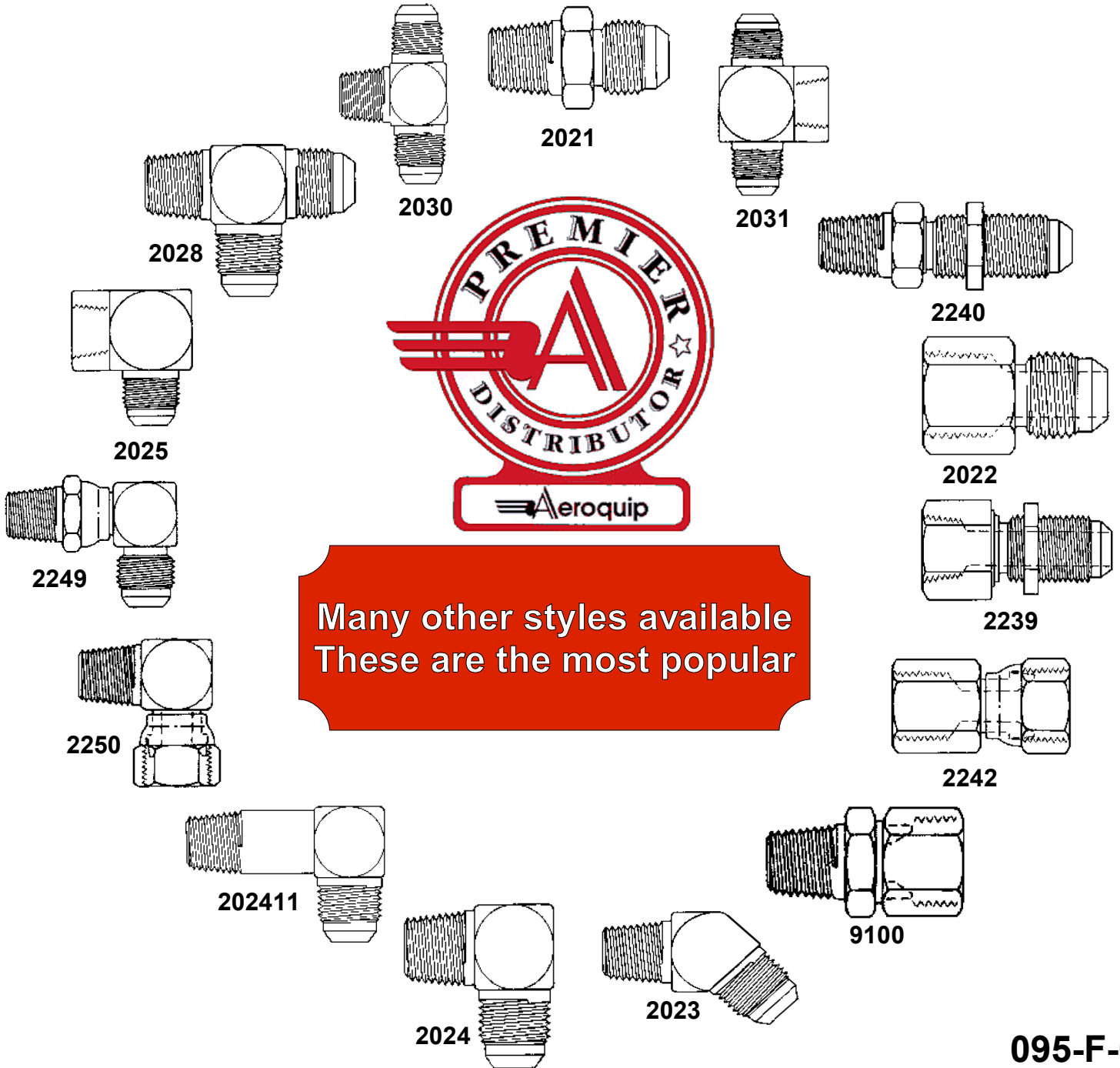
**352-840-0842**

[www.CentralHydraulics.com](http://www.CentralHydraulics.com)

# Central Hydraulics Inc.



## NPT (National Pipe Thread) to JIC (37° Flare) Adapters



**Central Hydraulics Inc. 1-800-264-9571**

**DAYTONA BEACH**

**386-253-2568**

**COCOA**

**321-639-9967**

**LEESBURG**

**352-323-8008**

**OCALA**

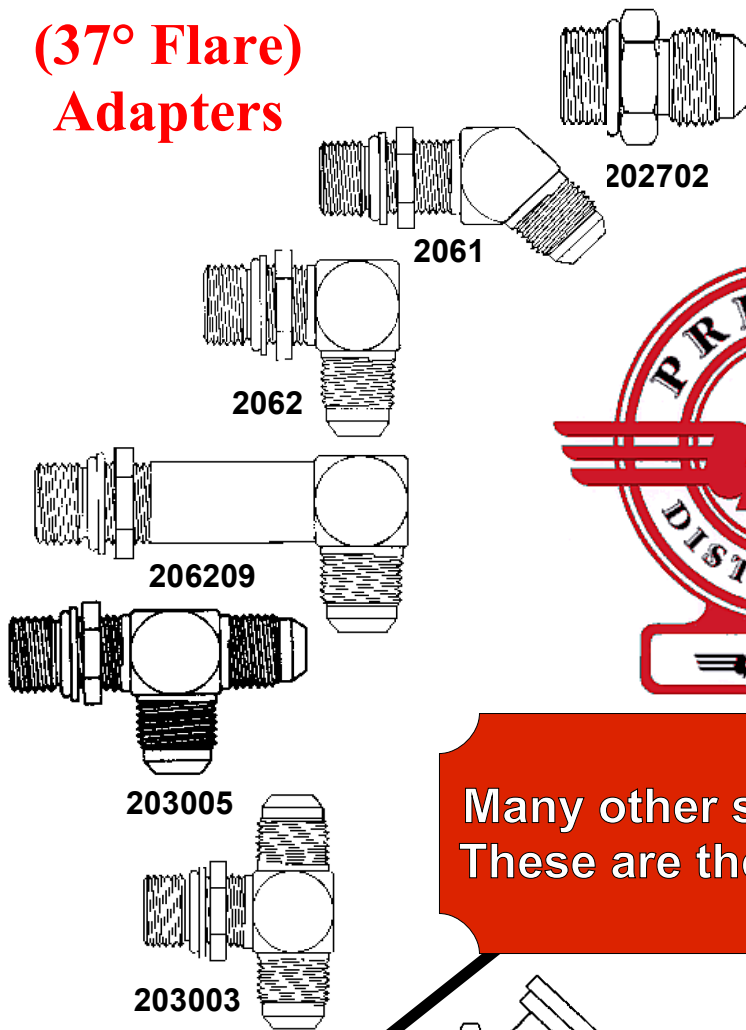
**352-840-0842**

[www.CentralHydraulics.com](http://www.CentralHydraulics.com)

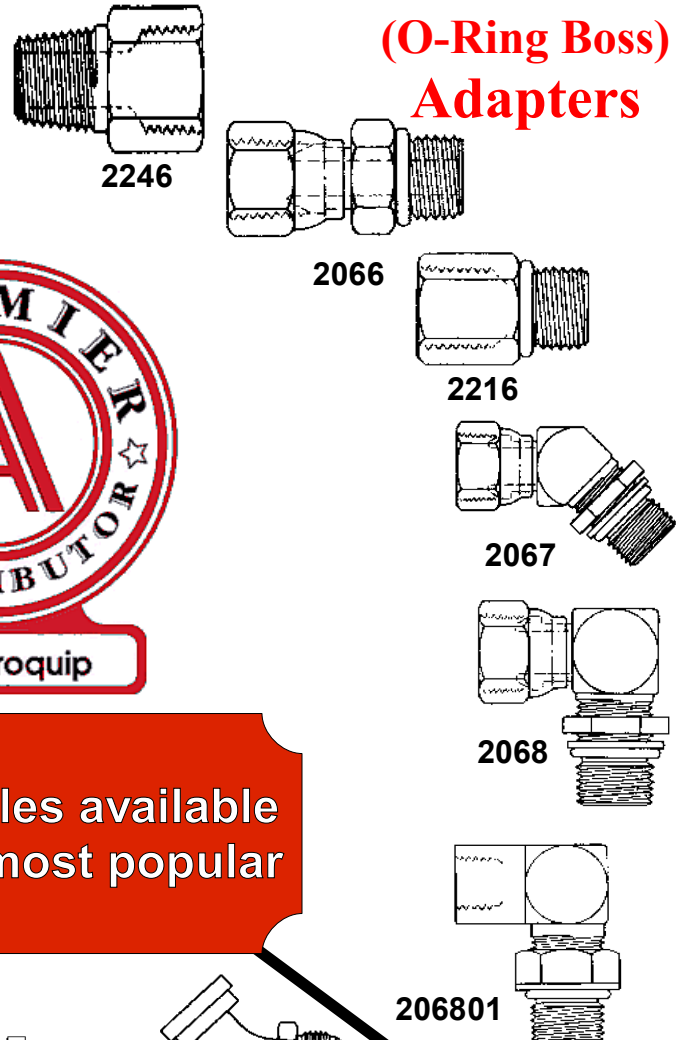
# Central Hydraulics Inc.



**ORB  
(O-Ring Boss)  
to JIC  
(37° Flare)  
Adapters**

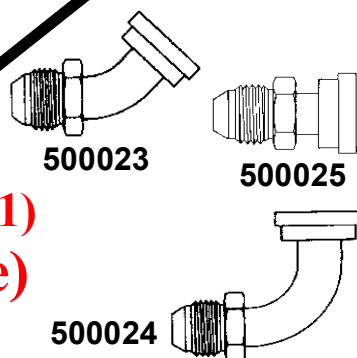


**NPT  
(National Pipe Thread)  
to ORB  
(O-Ring Boss)  
Adapters**

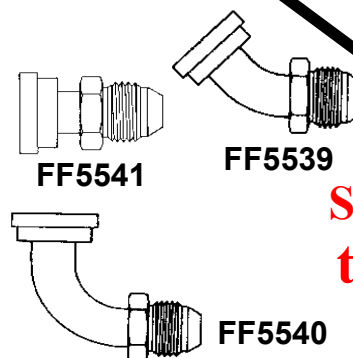


Many other styles available  
These are the most popular

**Split Flange (Code 61)  
to JIC (37° Flare)  
Adapters**



**Split Flange (Code 62)  
to JIC (37° Flare)  
Adapters**



**Central Hydraulics Inc. 1-800-264-9571**

**DAYTONA BEACH**

**386-253-2568**

**COCOA**

**321-639-9967**

**LEESBURG**

**352-323-8008**

**OCALA**

**352-840-0842**

[www.CentralHydraulics.com](http://www.CentralHydraulics.com)

**096-F-01**

# Central Hydraulics Inc.



## JIC (37° Flare) Union Adapters



Many other styles available  
These are the most popular

**Central Hydraulics Inc. 1-800-264-9571**

**DAYTONA BEACH**

**386-253-2568**

**COCOA**

**321-639-9967**

**LEESBURG**

**352-323-8008**

**OCALA**

**352-840-0842**

[www.CentralHydraulics.com](http://www.CentralHydraulics.com)